

Department of Biology

# Welcome Guide

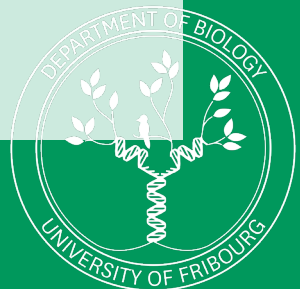


# A Heartfelt Welcome to Our Department !

This guide is made for you to get all the information you need for a bright start here in Fribourg.

## Table of contents

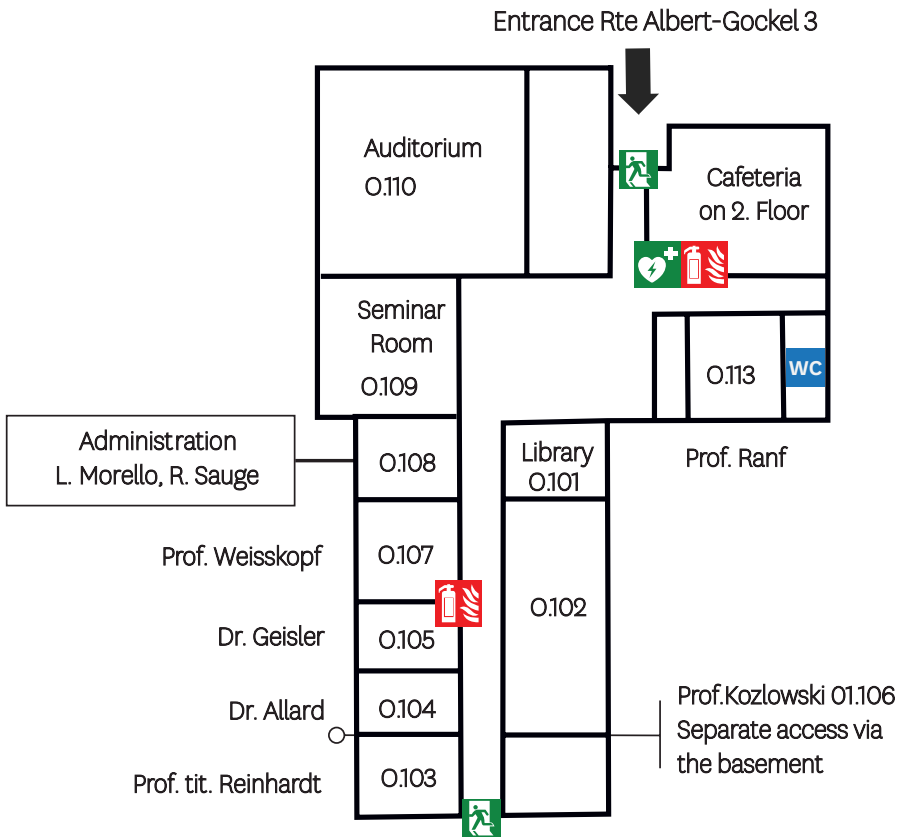
|                            |   |
|----------------------------|---|
| 1. Buildings & offices map | 2 |
| 2. Contacts                | 4 |
| 3. Life on Campus          | 6 |
| 4. Platforms               | 7 |
| 5. Graduate School         | 8 |
| 6. Daily life              | 8 |



# 1. Building PER04 & offices map

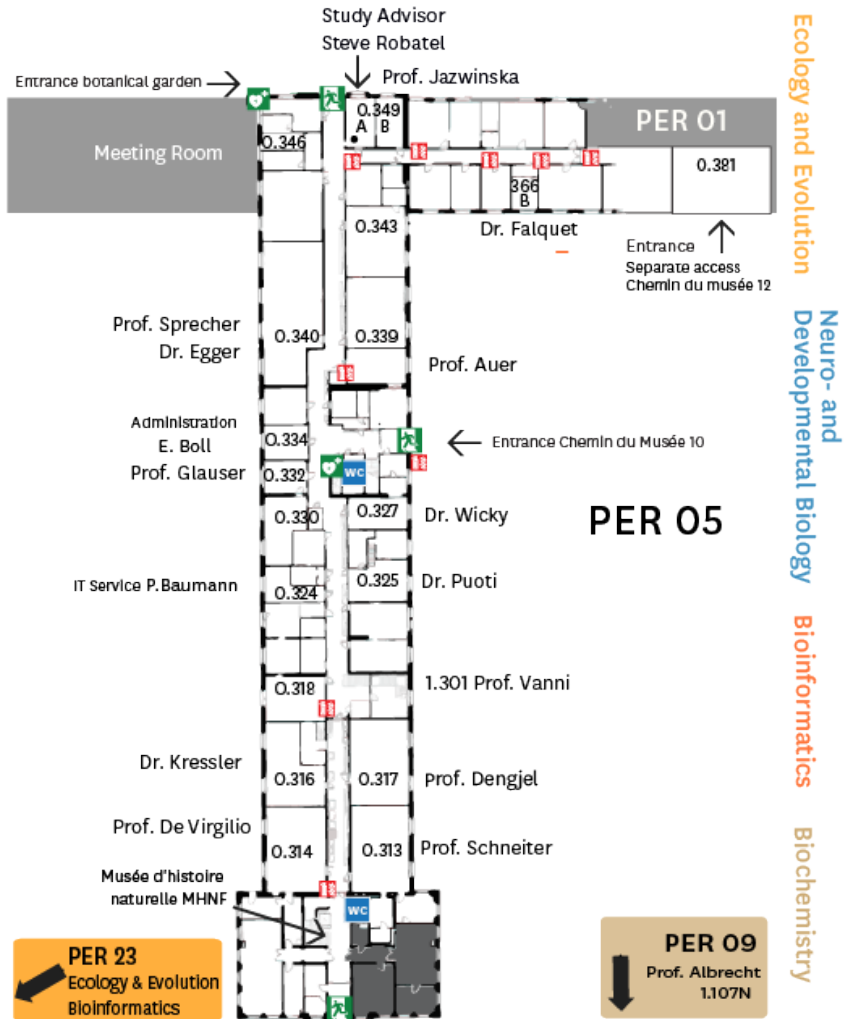
Department of Biology, Building PER04

## Plant and Microbial Biology PER 04



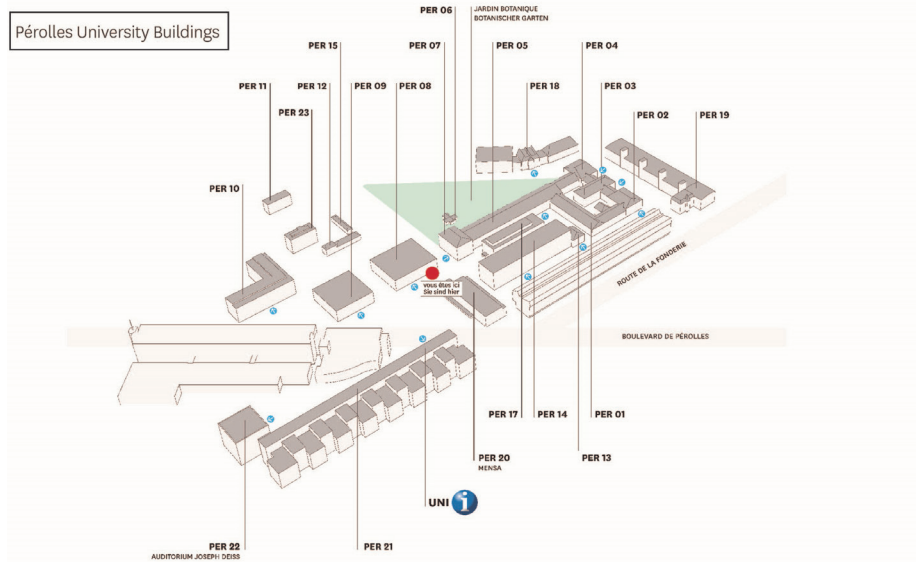
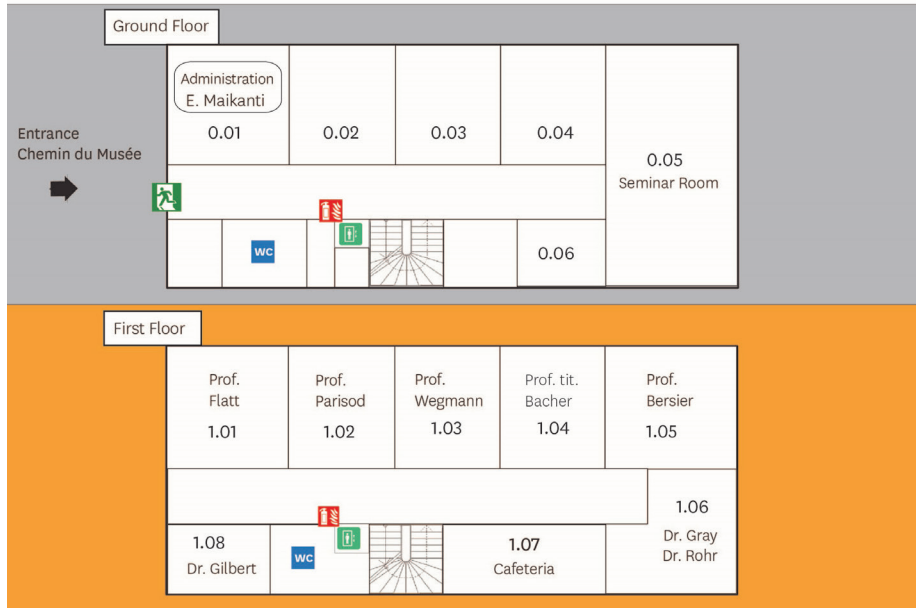
# 1. Buildings PER01, PER05, PER07 & offices map

Department of Biology, University of Fribourg Buildings PER01 and PER05



# 1. Buildings PER23 & offices map

Chemin du Musée 15, 1700 Fribourg



## 2. Contacts

### Head

|   |              |               |
|---|--------------|---------------|
| Dominique Glauser<br>Head of the Department | 026 300 8887 | PER05 - 0.332 |
| Christian Parisod<br>Vice-President         | 026 300 8852 | PER23 - 1.02  |

### Studies

|   |              |                |
|---|--------------|----------------|
| Steve Robatel<br>Student advisor Biology/Biochemistry | 026 300 8844 | PER05 - 0.349  |
| Daniel Wegmann<br>Student advisor Bioinformatics      | 026 300 8949 | PER23 - 1.03   |
| Julien Comelli<br>Responsible for apprentices         | 026 300 8653 | PER09 - 01.103 |

### Administration

|  |              |               |
|--|--------------|---------------|
| Evelyn Boll<br>Department Administration<br>Biochemistry & Bioinformatics          | 026 300 8630 | PER05 - 0.334 |
| Laura Morello<br>Plant Biology & Neuro/Dev. Biology                                | 026 300 8860 | PER04 - 0.108 |
| Eirini Maikanti<br>GEFRI Courses and exams<br>Ecology & Evolution                  | 026 300 8850 | PER23 - 0.01  |
| Rachel Sauge<br>Communication & Events<br>FGLM administration<br>Room Reservations | 026 300 8810 | PER04 - 0.108 |

People in the Department can be contacted per email,  
indicating [firstname.lastname@unifr.ch](mailto:firstname.lastname@unifr.ch)

### Workshop / Services

|   |              |                |
|---|--------------|----------------|
| Boris Egger<br>Head Technical Support         | 026 300 8881 | PER05 - 0.340g |
| Philippe Baumann<br>Computer support          | 026 300 8883 | PER05 - 0.324  |
| Jean-Daniel Niederhäuser<br>Technical support | 026 300 8643 | PER09 - 0.119  |
| Alain Werro<br>Techical support               | 026 300 8812 | PER04 - 01.117 |

### Platforms

|  |                              |                                |
|--|------------------------------|--------------------------------|
| Boris Egger<br>Bioimage Core Facility                                      | 026 300 8881                 | PER05 - 0.340g                 |
| Pierre-Marie Allard<br>MAPP - Metabolomics Platform                        | 026 300 8808                 | PER04 - 0.104                  |
| Dieter Kressler<br>MAPP - Proteomics Platform                              | 026 300 8645                 | PER05 - 0316d                  |
| Laurent Falquet<br>Rudolf Rohr<br>Bioinformatics & Biostatistics Platforms | 026 300 8991<br>026 300 8851 | PER01 - 0.366b<br>PER23 - 1.06 |

### Safety

|  |                |                |
|--|----------------|----------------|
| Didier Reinhardt<br>Lab Safety Officer | 026 300 8818   | PER04 - 0.103  |
| Chantal Wicky<br>Maternity questions   | 026 300 8865   | PER05 - 0.331a |
| Health & Safety                        | sante@unifr.ch |                |

### Concierges

|                                  |              |              |
|----------------------------------|--------------|--------------|
| Claude Papaux<br>Concierge Chief | 026 300 7240 | PER21 - C022 |
| Permanence<br>Concierge on duty  | 026 300 7300 |              |

**You can also search for people in the University Directory  
under [www.unifr.ch/directory](http://www.unifr.ch/directory)**

## 3. Life on Campus

### Campus Card Activation

You can activate your card at different terminals, like the ones in PER04 or PER14. Don't forget to re-activate it at least once a month to keep your access rights. The card lets you access buildings outside of opening hours, access specific rooms, and use the printers.

### Photocopiers and Printers

3 Multifonction printers are at your disposal in the PER04 and PER05 building as well as 1 on the second floor in PER 23. Your Campus Card gives you access to the printer. If you do not have a Campus Card please contact the administration team.

### Study Rooms

There are several study rooms available for you to use, which you can find at this link:



### Intranet

You can manage several admin tasks or register to courses via your personal account on [my.unifr.ch](https://my.unifr.ch)

### Room Reservations

The reservations have to be made by e-mail at [room-biol@unifr.ch](mailto:room-biol@unifr.ch)  
Room availabilities can be checked by scanning the QR code at the entrance of each room.

### Course Catalogue

Courses can be found at this link : [www.unifr.ch/timetable](https://www.unifr.ch/timetable)

### Seminars

Department Seminars are organised every Tuesday at 11:15 in Auditorium 0.110 during the semester. They are announced in the newsletter you receive every Thursday and everyone is welcome. Main events are in our agenda at this link : [www.unifr.ch/bio/en/info/agenda](https://www.unifr.ch/bio/en/info/agenda)

### Fedex

Please contact the administration team for your Fedex shipment.

### Safety

Rules can be found at this link : [www.unifr.ch/scimed/en/safety](https://www.unifr.ch/scimed/en/safety)

### Emergency numbers

|              |     |
|--------------|-----|
| Police       | 117 |
| Fire         | 118 |
| Ambulance    | 144 |
| Intoxication | 145 |

## 4. Platforms

### Metabolomics and Proteomics platform

The Metabolomics and Proteomics Platform (MAPP) is a service of the Department of Biology of the University of Fribourg. The mission of the platform is to provide expertise, instrumentation, and manpower to enable state-of-the-art implementation of metabolomic and proteomic analyses. To this end, the MAPP offers support in the planning and execution of experiments, including custom-tailored method development, sample preparation, data acquisition and analysis, and researcher training. Since its official start in January 2017, the MAPP has provided its services to many research groups of the Department of Biology as well as to some external customers. Notably, our activities have already contributed to several publications. Contact: [mapp-biol@unifr.ch](mailto:mapp-biol@unifr.ch)

### Bioimage Core Facility

The Bioimage Core Facility was built and is now run by the Department of Biology and the Section of Medicine of the University of Fribourg. It provides access to shared instrumentation and software for state-of-the-art light microscopy. Its aim is to assist you along the path from sample to knowledge with our know-how in image acquisition optimisation and our expertise in image processing and data mining. All research groups from the University of Fribourg and associated Institutes can get access to the facility infrastructure following standard procedure. Contact: [bioimage-admin@unifr.ch](mailto:bioimage-admin@unifr.ch)

### Bioinformatics & Biostatistics Platforms

This core facility is dedicated to provide bioinformatics & biostatistics support to life-science researchers of the University of Fribourg. We are organised with two heads, one for the bioinformatics (Dr. Falquet) and one for the biostatistics (Dr. Rohr). Informal meetings around a coffee/tea and croissants called BAOBAB (Bioinformatics & Biostatistics Open Bar and Breakfast) are regularly organised. This is an opportunity to discuss with the experts of the core facilities about NGS planning and data analysis issues.

Contact: [bugfri@unifr.ch](mailto:bugfri@unifr.ch)

### Facilities & Core Services

The Department of Biology and the Faculty of Science and Medicine provide different services such as equipment booking.

You can find facilities and core services at these links :

[www.unifr.ch/bio/en/services/facilities](http://www.unifr.ch/bio/en/services/facilities)

[www.unifr.ch/scimed/facilities](http://www.unifr.ch/scimed/facilities)

## 5. Graduate School FGLM

### Fribourg Graduate School of Life Sciences and Medicine



The FGLM is an interdisciplinary graduate school, which offers a coordinated doctoral program in the life sciences. The program offers a wide variety of courses to PhD students, ensures regular thesis committee meetings, and supports PhD students in scientific and personal matters. FGLM members have the unique opportunity to self-organize activities such as workshops, seminars, courses, social events, retreats, etc. Student representatives are elected every year.

More information at this link :



## 6. Daily life

### DOKPE

DOKPE is a public library that provides books and periodicals of natural and exact sciences in free access: Physics, chemistry, geology, geography, biology, anatomy, physiology, microbiology, immunology, and basic books in mathematics:

[www.unifr.ch/dokpe](http://www.unifr.ch/dokpe)

### More general information about the University's services and infrastructure





Join us on...



and [www.unifr.ch/bio](http://www.unifr.ch/bio)



**Our Department  
Newsletter is sent out  
every Thursday. Giving  
you updates on the fol-  
lowing week's events.**